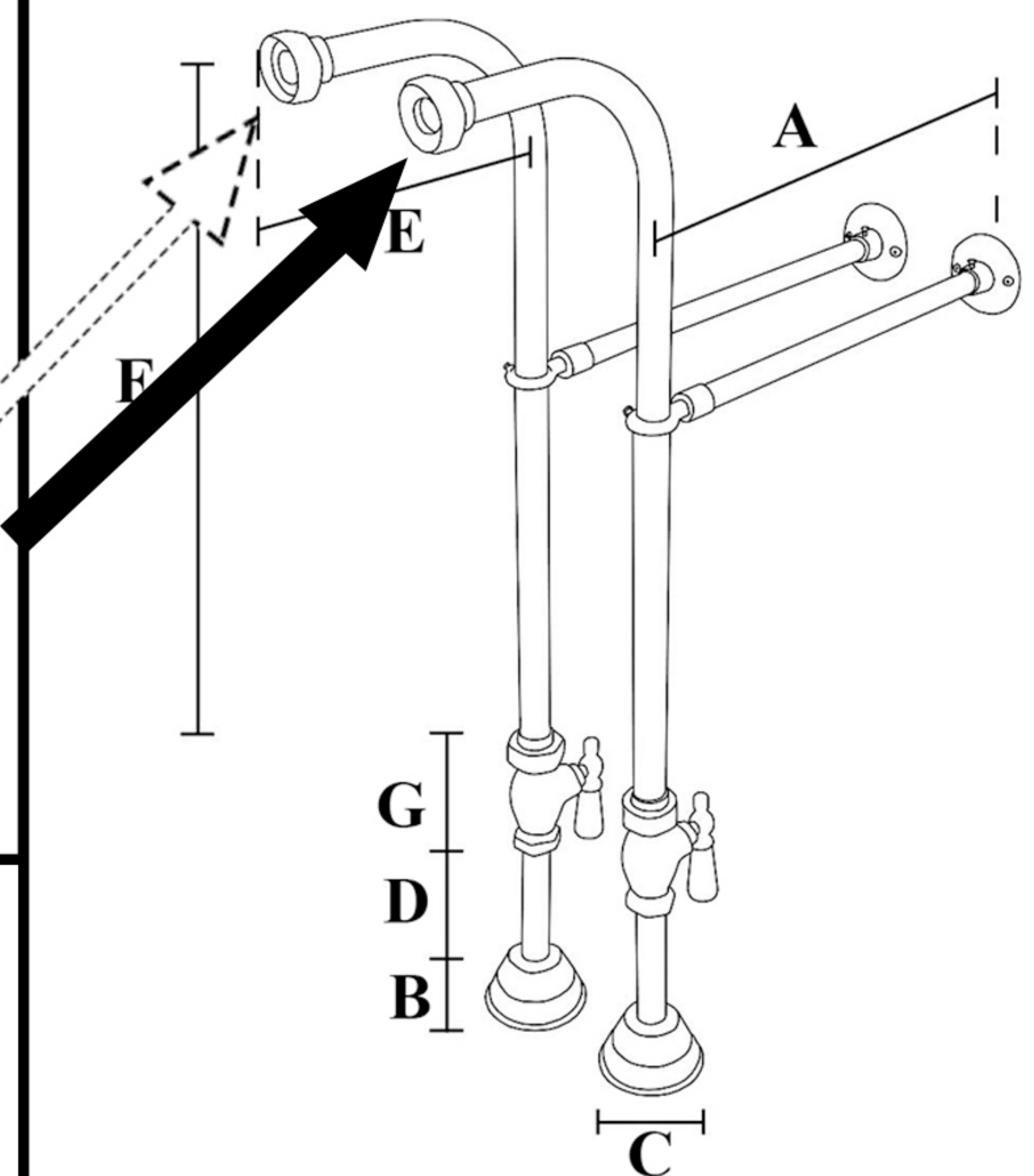
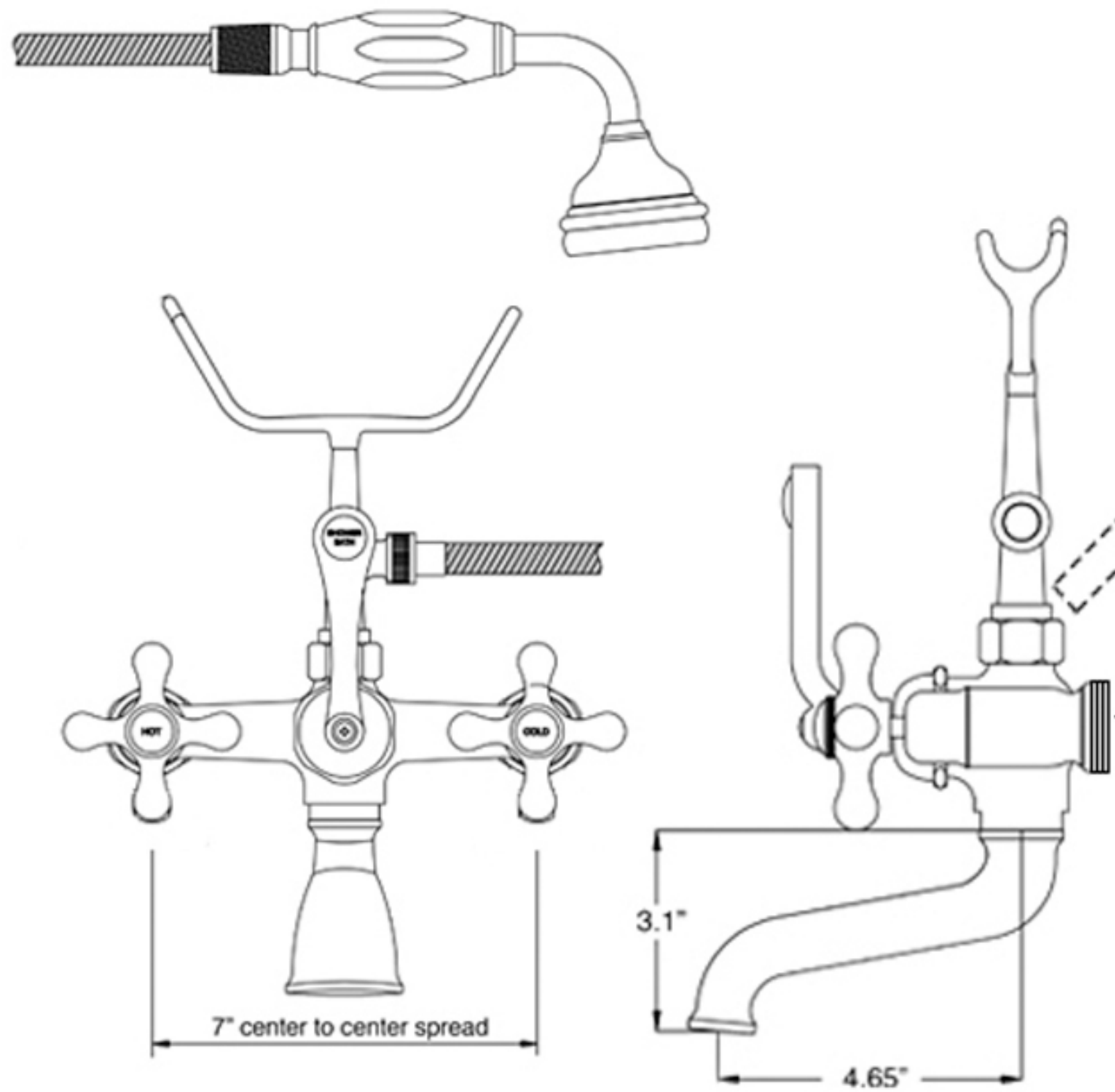


CAM463



CAM398

- | | |
|-----------------------------|----------------------------|
| <u>(A) Brace: 13-1/2" L</u> | <u>(E) Throw: 8" L</u> |
| <u>(B) Flange: 1-3/4" H</u> | <u>(F) Tube: 19-1/2" L</u> |
| <u>(C) Flange: 3" OD</u> | <u>(G) Valve: 3-3/4" H</u> |
| <u>(D) Nipple: 7-1/2" L</u> | |